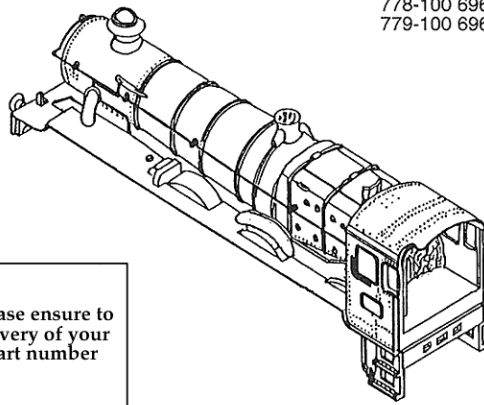


**"OO" MODIFIED HALL
LOCO CODE**

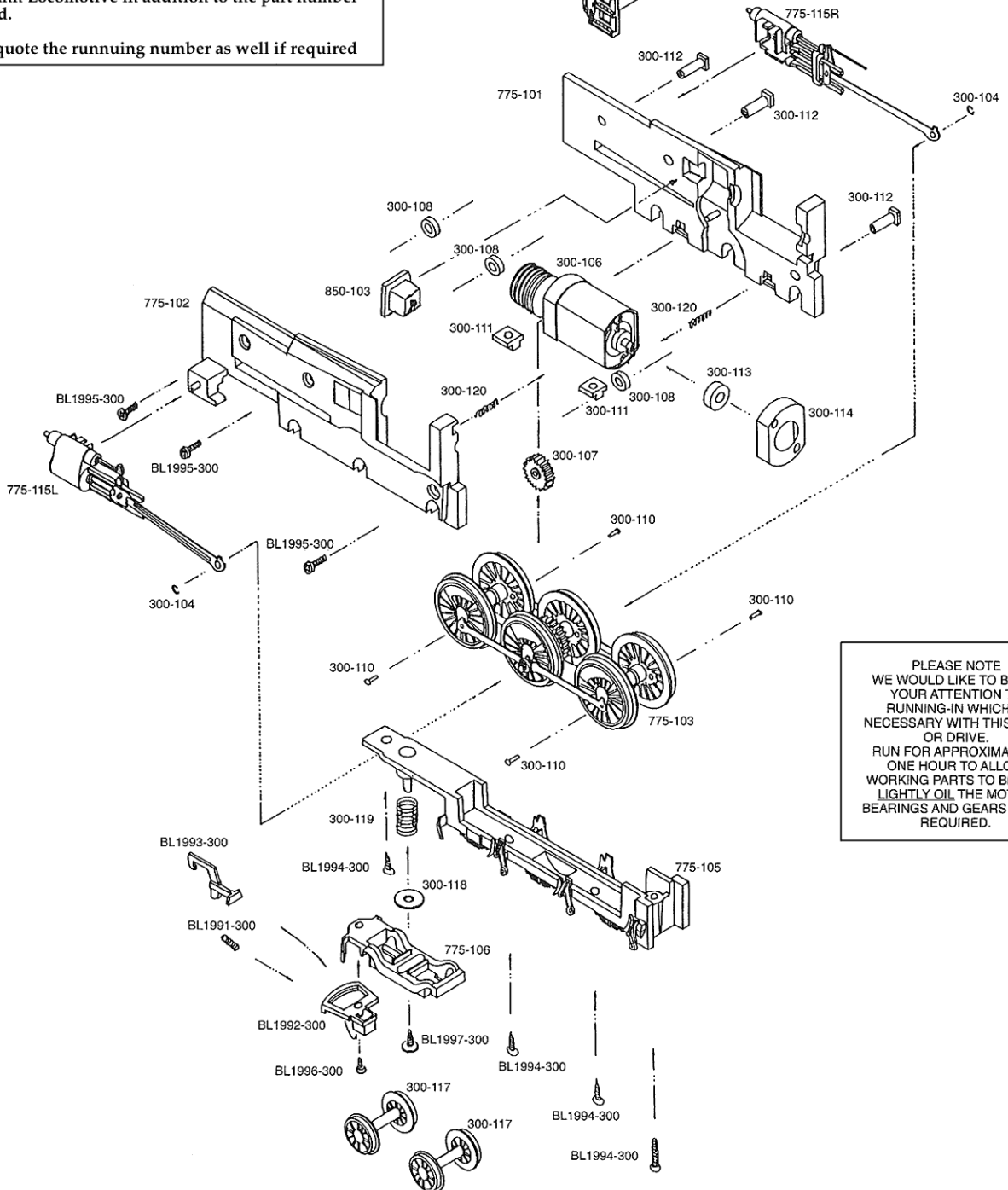
775-100 6990 'WITHERSLACK HALL' B.R. LINED BLACK
 776-100 7915 'MERE HALL' B.R. LINED GREEN, LATE
 777-100 6962 'SOUGHTON HALL' G.W.R LINED GREEN
 778-100 6969 'WRAYSBURY HALL' BR LINED GREEN, EARLY
 779-100 6960 'RAVENINGHAM HALL' IN GW LINED GREEN
 (LIMITED EDITION)



IMPORTANT!

When ordering any replacement parts, please ensure to quote the appropriate catalogue number/Livery of your Bachmann Locomotive in addition to the part number required.

Please quote the running number as well if required



PLEASE NOTE
 WE WOULD LIKE TO BRING
 YOUR ATTENTION TO
 RUNNING-IN WHICH IS
 NECESSARY WITH THIS TYPE
 OR DRIVE.
 RUN FOR APPROXIMATELY
 ONE HOUR TO ALLOW
 WORKING PARTS TO BED-IN.
 LIGHTLY OIL THE MOTOR
 BEARINGS AND GEARS WHEN
 REQUIRED.