

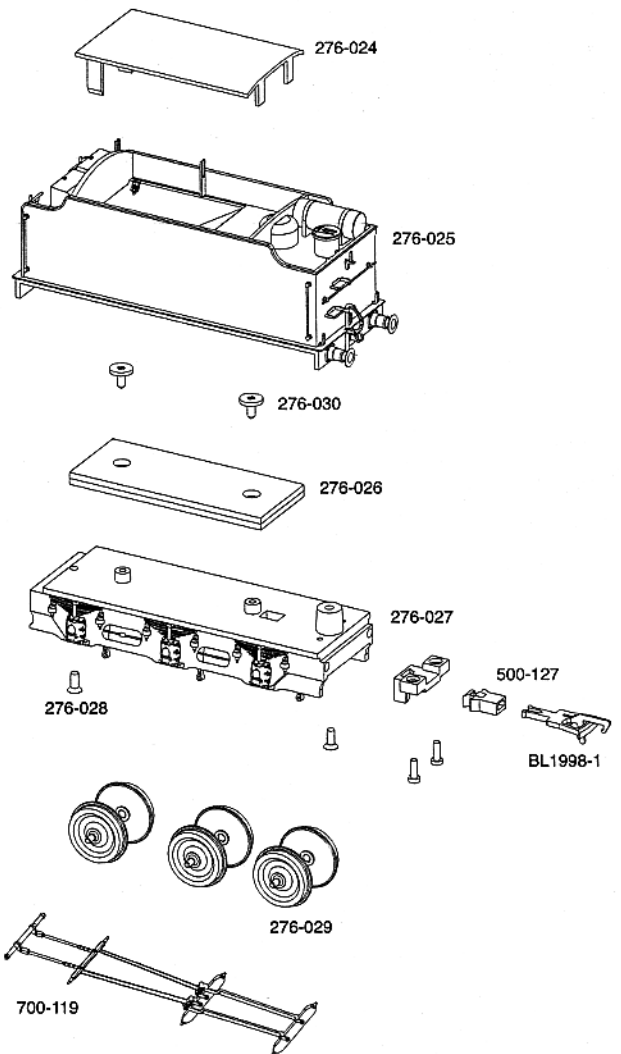
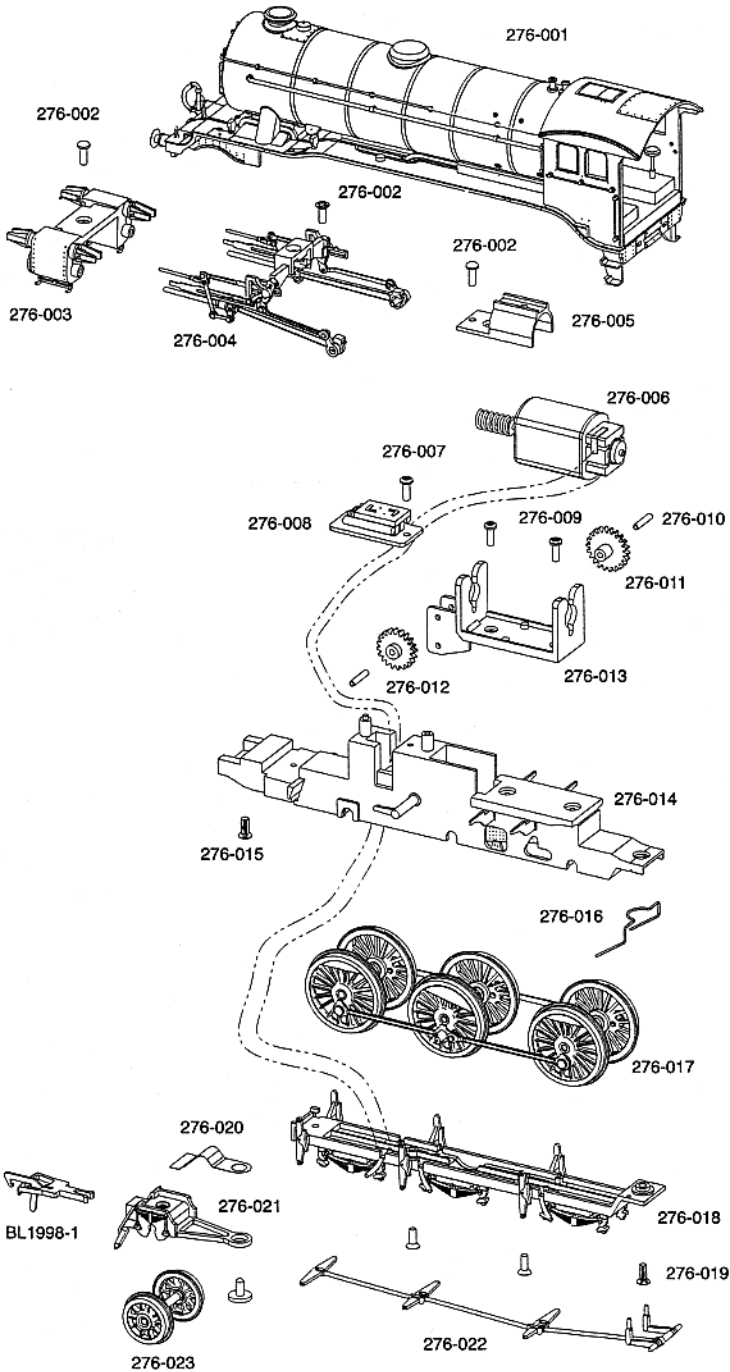


CLASS K3 LOCOMOTIVE

Please Note

This type of Drive requires be running-in!

Run for approximately one hour to allow working parts to bed in. Lightly oil the motor, bearings and gears when required.



Important!

When ordering any replacement parts please ensure you quote the appropriate catalogue number of your Bachmann Locomotive in addition to to the number of the part required