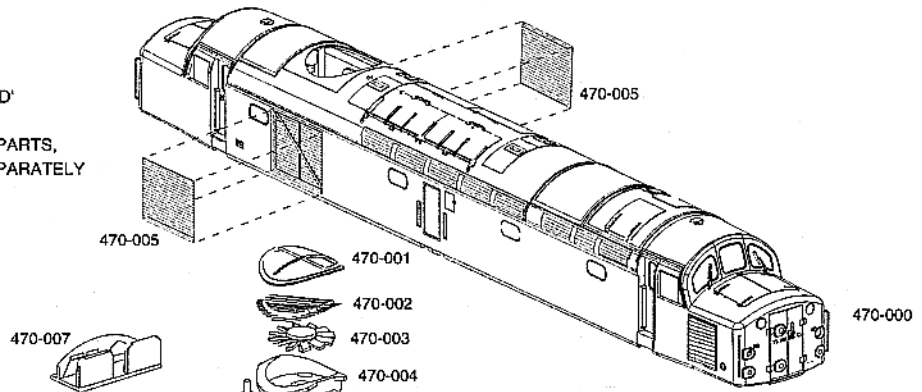




CLASS 40 DIESEL LOCOMOTIVE

'FROST SHIELD'
OPTIONAL
ACCESSORY PARTS,
SUPPLIED SEPARATELY



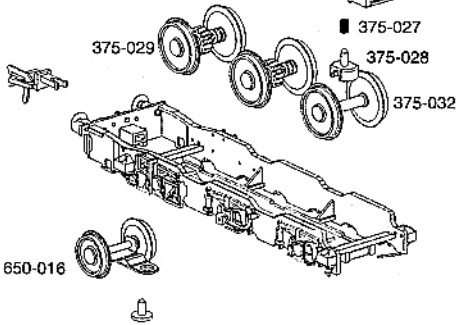
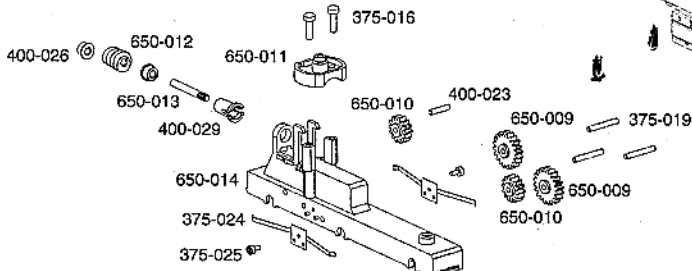
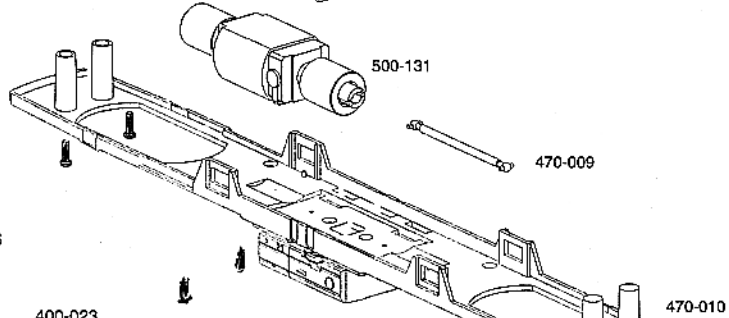
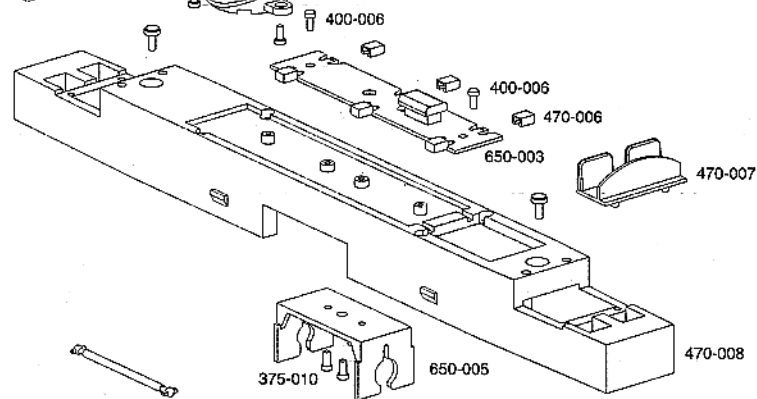
Important!

When ordering any replacement parts please ensure you quote the appropriate catalogue number of your Bachmann Locomotive in addition to the number of the part required

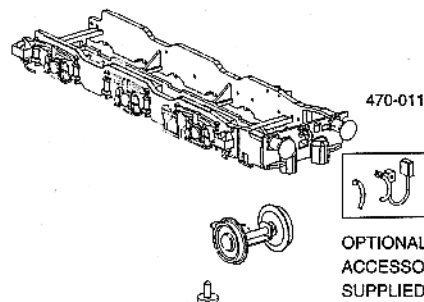
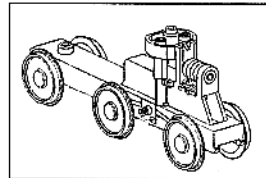
Please Note

This type of Drive requires be running-in!

Run for approximately one hour to allow working parts to bed in. Lightly oil the motor, bearings and gears when required.



COMPLETE UNIT



OPTIONAL
ACCESSORY PARTS,
SUPPLIED SEPARATELY