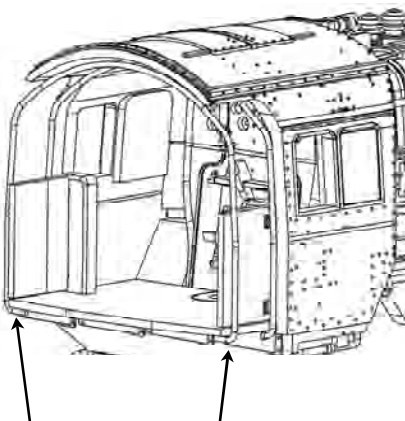


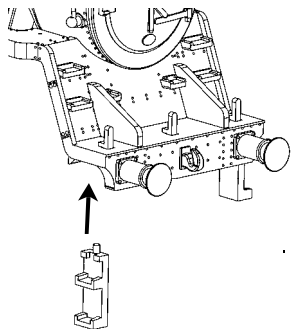
Fitting add on detail parts

Cab handrail (if applicable)

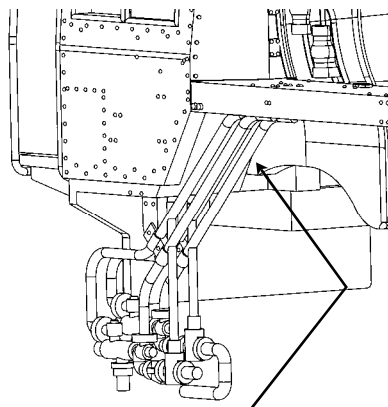


Cab handrail fits here - locos with running numbers 76000 - 76044 only

Front footsteps
(for larger curves only)

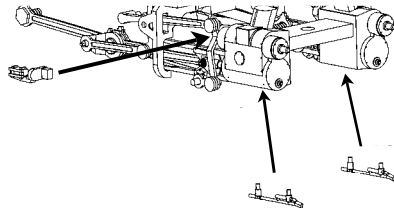


Injector pipes



Add-on pipe fits *inside* that fitted to loco - suitable for static model only

Cylinder draincocks and alternative valve guides



Thank you for your choice of the Graham Farish BR Standard Class 4 2-6-0 locomotive.

Running in

The mechanism of this model requires running in (without a load) for approximately 1 hour in each direction at moderate speed.

Curves

This locomotive is suitable for use on track with curves of second radius (**approx. 10½ inches / 260 mm**) or greater

Tender body removal

Remove the two screws at the rear of the chassis as indicated on the diagram.

DCC Decoder fitting to non DCC fitted loco

This model has an 6-pin NMRA/NEM 651 socket for a decoder with an appropriate plug. Align the decoder as indicated.

It's advisable to run in as above using a DC power supply before moving on to fit a DCC decoder

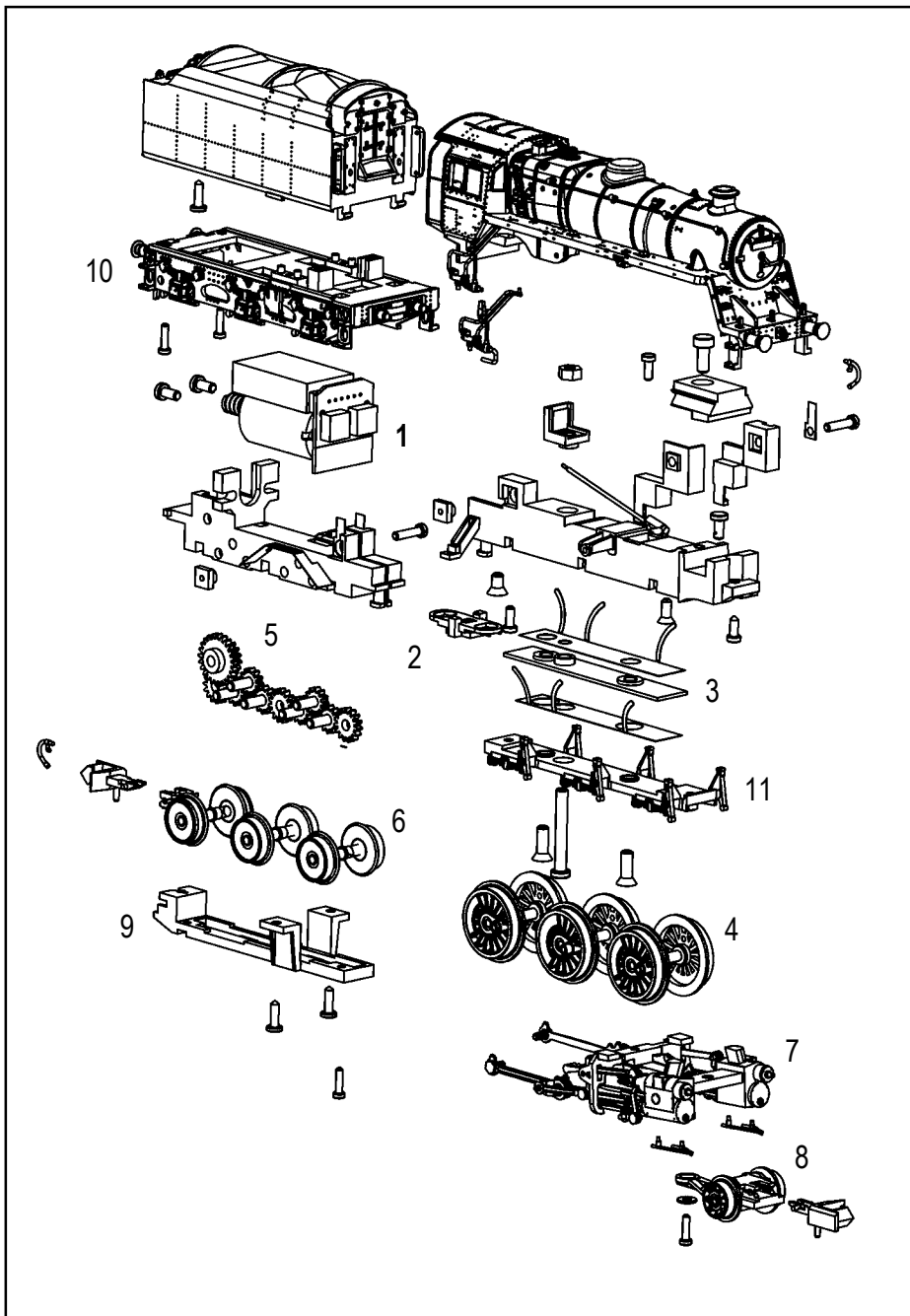
Lubrication

When required, sparingly lubricate the motor bearings using plastic compatible light oil and the gear train with model grease. Suitable lubricants are Bachmann E-Z Lube item 99984 or Woodland Scenics 'HobbyLube' Lite Oil item HL654.

Add-on detail parts.

The pack contains:

- Vacuum pipes .
- Front steps
- Alternative short loco/tender drawbar: suitable for large radius curves only
- Cylinder draincocks
- Inner injector (for display model only)
- Alternative valve guides (for display model only)
- Cab handrail (if appropriate to model)



Parts

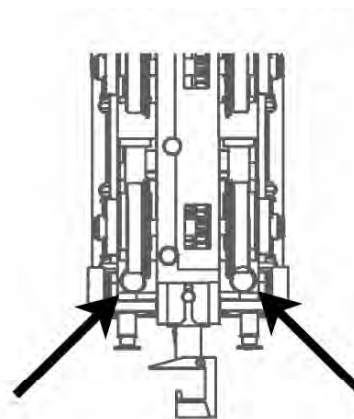
- | | | | |
|---|----------------|----|--------------------|
| 1 | Motor | 7 | Cylinders / motion |
| 2 | Drawbar | 8 | Front bogie |
| 3 | Pickups | 9 | Tender baseplate |
| 4 | Driving wheels | 10 | Tender underframe |
| 5 | Gears | 11 | Loco baseplate |
| 6 | Tender wheels | | |

Replacement parts available from retailers

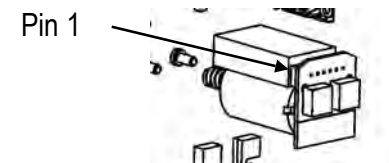
Couplings item 379-402

Traction tyres item 379-420

Location of tender shell
securing screws



DCC Decoder fitting



Carefully remove the blanking board above the motor and replace with a decoder with a NMRA/NEM 651 6-pin fitting.

Bachmann Europe Plc
 Moat Way, Barwell, Leicestershire,
 LE9 8EY
 01455 841756
 www.bachmann.co.uk
 4MT 2-6-0 rev 1 08/09
 F7265-IS001