



Class 42 'Warship' diesel locomotive

Thank you for your choice of the Graham Farish Class 42 Warship diesel locomotive.

Running in

The mechanism of this model requires running in (without a load) for approximately 1 hour in each direction at moderate speed.

Curves

This locomotive is recommended for use on 12" radius curves but will operate on 9" radius curves.

Body removal

The bodyshell clips over the chassis and can be removed by carefully easing away from the chassis.

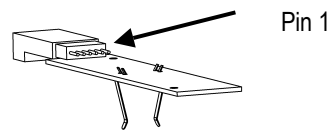
Lubrication

When required, sparingly lubricate the motor bearings using plastic compatible light oil and the gear train with model grease. Suitable lubricants are Bachmann E-Z Lube item 99984 or Woodland Scenics 'HobbyLube' Lite Oil item HL654.

DCC Decoder fitting

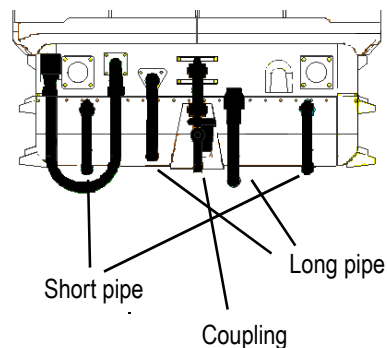
The model has a NMRA/NEM 651 6-pin decoder socket.

Follow the instructions supplied with the decoder. Remove the blanking board and fit the decoder, aligning as shown. We recommend that the model is run in first using a DC supply before fitting a decoder.



Buffer beam parts

A fairing, and pipes and a cosmetic screw coupler can be fitted as an alternative to the functional coupler. The pipes and coupling fit as shown.



Bachmann Europe Plc

Moat Way, Barwell, Leicestershire, LE9 8EY 01455 841756

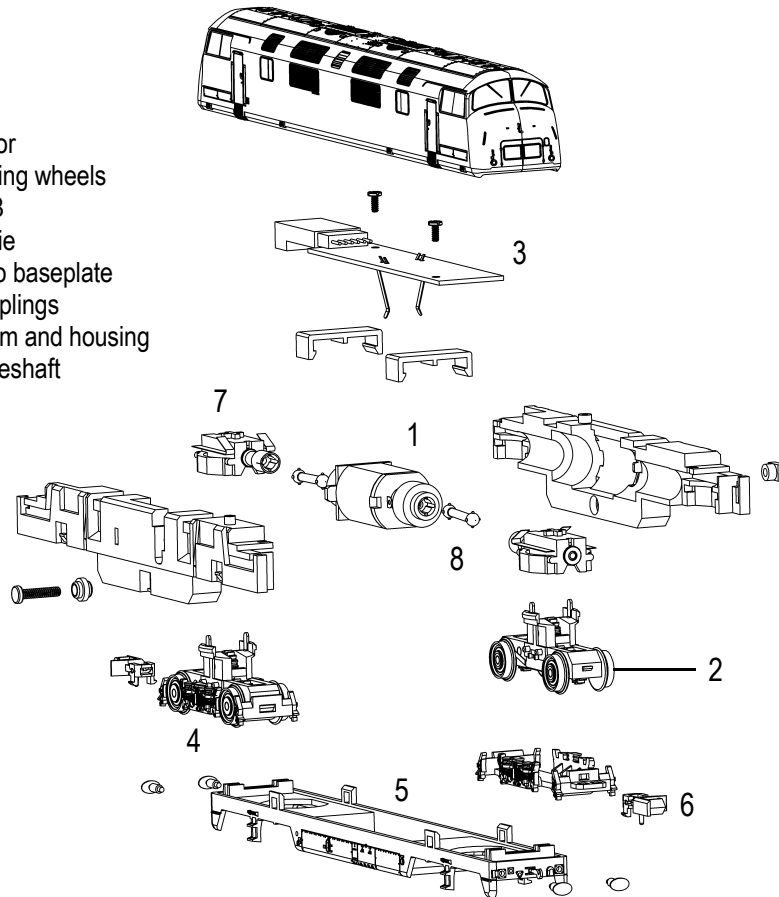
www.bachmann.co.uk

Class 42 rev 1 05/08

F7160-ISO01

Parts

- 1 Motor
- 2 Driving wheels
- 3 PCB
- 4 Bogie
- 5 Loco baseplate
- 6 Couplings
- 7 Worm and housing
- 8 Driveshaft



The model should be handled carefully as it has many finely detailed parts. It is not suitable for persons under 14 years

When ordering parts please quote the catalogue number together with the livery of the model (if appropriate) and number of the part required.

Parts are subject to availability.